



Quality since 1988

# ENTRANCE & ACCESS CONTROL PRODUCTS

 **TURNSTILES**

 **WICKET GATES**

 **RAILING SYSTEMS**

 **SECURITY GATES**





With 19 years experience in the security industry, PERCo offers a wide range of innovative solutions for both entrance and access control.

The PERCo product portfolio includes electromechanical tripod and rotor turnstiles, gates and railing systems as well card access control systems, T&A software, proximity card readers.

PERCo today is approximately 400 employees, over 10,000 sq. m of production space, headquarters, the R&D center and warehouse in St. Petersburg, storage facilities in the EU, 20 certified service centres in Russia and the CIS, sales network of over 300 companies worldwide.

With over 5,000 installations in the year of 2006 alone, PERCo equipment has been successfully operating in 55 countries of the world including the UK, Italy, Germany, France, Portugal, Mexico, Japan, South Korea, Australia, New Zealand, and the U.A.E.

Amongst the clients are different businesses and governmental agencies, banks, museums, industrial facilities, security installations, nuclear power plants, airports, railways, seaports, exhibition centers, ski resorts, fitness and entertainment facilities.

PERCo designs, develops and manufactures all its equipment including electronics and software. The quality management system ensures product close control through all the production stages and pre-sale service. All the products comply with the European applicable standards.

In addition to the first class quality of its products, PERCo offers security professionals:

- competitive prices;
- prompt delivery from the European warehouses;
- promotion support;
- hotline technical support;
- regular training seminars.



INNOVATIVE SOLUTIONS

HIGH QUALITY PRODUCTS

RELIABLE SUPPORT

[WWW.PERCOWEB.COM](http://WWW.PERCOWEB.COM)

## ENTRANCE CONTROL PRODUCTS



The wide range of PERCo electromechanical **turnstiles** and **wicket gates**, integrated with **railings** made in matching decor, allows customers to make the optimal choice when equipping checkpoints.

The cost-effective, reliable and user-friendly equipment will protect your premises 24h a day, all the year round. Combined with access control systems, these high quality entrance control products can provide the level of security to meet even the most exacting requirements.

The PERCo product portfolio includes **tripod** and **rotor** turnstiles, which are operated from the remote control and can be easily integrated into virtually any admission or access control system. The turnstiles are available in a variety of versions and colour options to suit your environment.

Electromechanical **wicket gates** are ideal for indoor applications requiring free access in one direction and ban on passage in the opposite. Their elegant and versatile design presents a secure and stylish solution that can blend into numerous locations.

**Railings**, styled in the complete system design, match and easily integrate with different PERCo turnstiles and gates. More than 30 types of elements and standard modules enable to form passageways of any required configuration.

**New Full Security Full Height Range** of turnstiles, gates and railings is made of robust aluminium profile to ensure high degree of resistance to weather and vandalism. This recent addition to the family of PERCo entrance control products is a perfect combination of high security and aesthetics for both indoor and outdoor applications.

### FEATURES & BENEFITS

- indoor / outdoor application
- bi-directional passage
- electrical controls for both directions
- fast throughput
- LED directional indicators and status lights
- integration with virtually any identification and access control system
- cable or wireless remote control
- automatic reset of barrier arms / swing panels after each passage
- arm rotation sensors to ensure accurate count inputs to ACS
- anti-panic options to provide free passage in emergency situations
- key override control
- inertia-free and smooth rotation mechanism
- safe supply voltage
- low power consumption
- simple installation with anchor fixtures
- complete turnkey delivery set





**TRIPOD TURNSTILES**



**COMPACT TRIPOD TURNSTILES**

**TTR-04 series**

compact and elegant design  
 LED display with status and direction indication  
 flow rate: 30 persons per min  
 2-year warranty

**TTR-04.1**  
**TTR-04W-24**



anti-panic folding arms (for indoor installations)



cable remote control panel



LED display with status and direction indication



key override control



Relay outputs for connection of intrusion detector, sensors, siren

“Fire Alarm” control input for unblocking the turnstile at the fire alarm command or from the emergency unblocking button

**WAIST-HIGH ENTRANCE CONTROL SOLUTIONS**

**TTR-04.1**

- For indoor application
- Built-in control unit
- Bi-directional passage
- Anti-panic arms (optional)

**Materials:**

- Housing – powder coated steel
- Barrier arms – stainless steel

**Colours and Finishes:**

- **R** – sandpaper powder coating with pearl mica effect; light beige colour
- **G** – sandpaper powder coating with pearl mica effect; dark grey colour
- **E** – high quality powder coating plus lacquered finish; "starlit night" (glitter black) colour



**R / WR**



**G**



**E**

Powder coating to colour of choice (according to RAL) is available.

**TTR-04W-24**

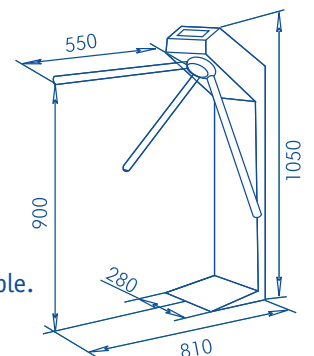
- For outdoor application under shelter
- Remote control unit
- Built-in thermocontrol system
- Bi-directional passage

**Materials:**

- Housing – powder coated steel
- Barrier arms – stainless steel

**Colours and Finishes:**

- **WR** – anticorrosion coat plus sandpaper powder coating with pearl mica effect; light beige colour





## BOX TRIPOD TURNSTILES

TTD-03 series

stylish and reliable  
LED directional indicators  
anti-panic folding arms (optional)  
flow rate: 30 persons per min

TTD-03.1  
with artificial stone top cover



anti-panic folding arms for emergency situations



LED directional indicators



key override control



cable remote control panel



Ready for concealed mounting of card readers

## WAIST-HIGH ENTRANCE CONTROL SOLUTIONS

Relay outputs for connection of intrusion detector, sensors and siren

"Fire Alarm" control input for unlocking the turnstile at the fire alarm command or from emergency button

### TTD-03.1

- For indoor application
- Built-in control unit
- Bi-directional passage

### Colours and Finishes:

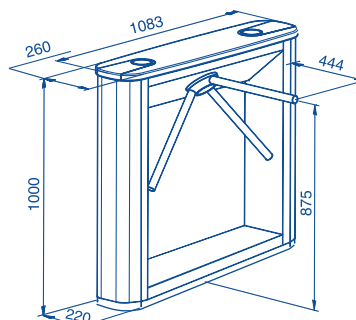
- **G** – sandpaper powder coating with pearl mica effect; dark grey colour
- **E** – high quality powder coating plus lacquered finish; "starlit night" (glitter black) colour
- **S** – polished stainless steel

### Materials:

- Housing
  - stainless steel
  - powder coated steel
- Barrier arms – stainless steel
- Top cover – artificial stone (black/dark blue)



Powder coating to colour of choice (according to RAL) is available.

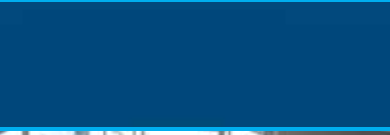


## TRIPOD TURNSTILES





**TRIPOD TURNSTILES**



**BOX TRIPOD TURNSTILES**

**TTD-03 series**

stylish and reliable  
LED directional indicators  
anti-panic folding arms (optional)  
flow rate: 30 persons per min

**TTD-03.2**  
with stainless steel top cover



anti-panic folding  
arms for emergency  
situations



LED directional  
indicators



key override  
control



cable remote  
control panel



Ready for surface mounting of access control devices

Relay outputs for connection of intrusion detectors,  
sensors and sirens

"Fire Alarm" control input for unlocking the turnstile at the  
fire alarm command or from emergency button

**WAIST-HIGH ENTRANCE CONTROL SOLUTIONS**

**TTD-03.2**

- For indoor application
- Built-in control unit
- Bi-directional passage

**Colours and Finishes:**

- **G** – sandpaper powder coating with pearl mica effect; dark grey colour
- **S** – polished stainless steel

**Materials:**

- Housing
  - stainless steel
  - powder coated steel
- Barrier arms – stainless steel
- Top cover – stainless steel

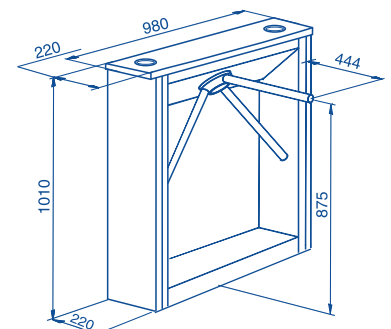


**G**



**S**

Powder coating to colour of choice (according to RAL)  
is available.





## WAIST-HIGH ROTOR TURNSTILES

RTD-03 series

safe closure of passageway  
ideal solution for VIP entrances  
flow rate: 23 persons per min

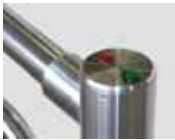
RTD-03S  
with electric drive



LED directional indicators for wooden handrails



key override control



status lights for stainless steel handrails



### Guide barrier set options:



RB-03TP



RB-03T



RB-03SP



RB-03S

## WAIST-HIGH ENTRANCE CONTROL SOLUTIONS

- For indoor application
- Control unit comes with power supply and battery
- Bi-directional passage

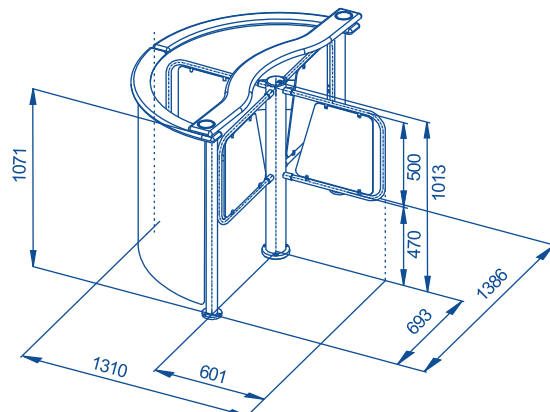
### Materials and Finishes:

- Rotor, Posts, Barrier wing frames – stainless steel
- Filler panels
  - polycarbonate sheets
  - toughened glass
- Handrails
  - stainless steel
  - wood (beech/ash)

### Colours and Finishes



S



ROTOR TURNSTILES





**WICKET GATES**



**WICKET GATES**

secure and stylish solution  
flow rate: 12 persons per min

**WMD-04S**  
motor driven



- For indoor application
- Control unit comes with power supply and battery
- Remote control panel
- Bi-directional passage control
- Standard or extended swing panel

**Materials and Finishes:**

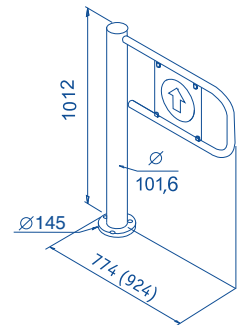
- Gate post, Swing panel frame – brushed stainless steel
- Filler panel – double-sided plastic info sign



key override control



S



**WAIST-HIGH ENTRANCE CONTROL SOLUTIONS**

reliable and handy  
Fail-Safe operation – free swing upon power loss  
flow rate: 25 persons per min

**WHD-04**



- For indoor application
- Control unit comes with power supply and battery
- Remote control panel
- Bi-directional passage control

**Materials:**

- Gate post – powder coated steel
- Swing panel frame – stainless steel
- Filler panel – double-sided plastic info sign

**Colours and Finishes:**

- **R** – sandpaper powder coating with pearl mica effect; light beige colour
- **G** – sandpaper powder coating with pearl mica effect; dark grey colour
- **E** – high quality powder coating plus lacquered finish; "starlit night" (glitter black) colour



Red/Green status lights

**Colours and Finishes**



R

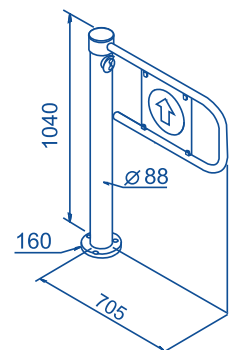


G



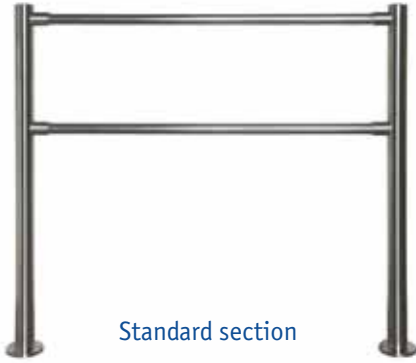
E

Powder coating to colour of choice (according to RAL) is available.





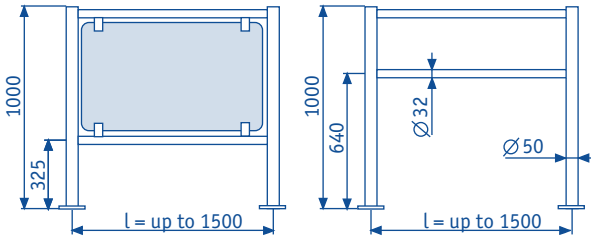
PERCo waist-high railings are made of stainless steel as standard. Round tubular steel posts and rails allow mounting any angle configurations. The standard rails are available in the lengths up to 1.5m, the standard posts are 1m high.



Standard section



Standard section with filler panel



- For indoor application

**Materials and Finishes:**

- Posts and Rails – stainless steel
- Filler Panels
  - tinted glass
  - polycarbonate sheet

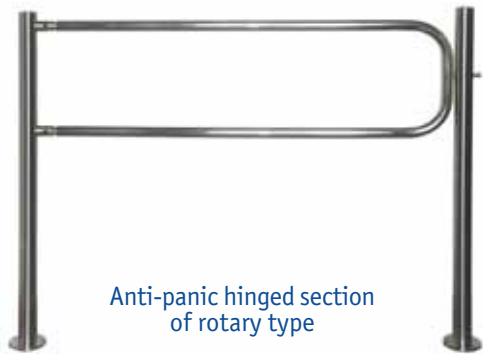
**WAIST-HIGH ENTRANCE CONTROL SOLUTIONS**

**Anti-panic hinged section of rotary type**

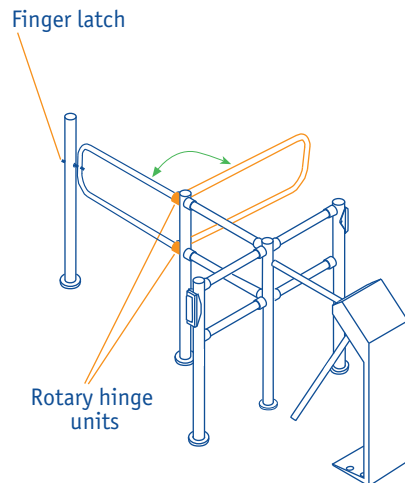
The unique design allows to use this type of railings as an **emergency breakaway gate** for unobstructed and fast escape routes in emergency cases or a **waist-high security gate** that offers a passage width up to 1200mm, making it suitable for wheelchair access.

The standard anti-panic section comes with hinge and latch posts, rotary hinge units and finger latch.

Normally the hinge units are secured. When it is necessary to clear the passageway, the latch may be easily unbolted to allow the hinged gate panel to open.



Anti-panic hinged section of rotary type



**Materials and Finishes:**

- Stainless steel



RAILINGS



## FULL HEIGHT ROTOR TURNSTILES

RTD-15 series

high level of security  
smooth and silent operation  
flow rate: 20 persons per min

RTD-15.1 motorized  
RTD-15.2

### ROTOR TURNSTILES



LED directional indicators



key override controls



flush mounted walkway downlights



Extremely Attractive  
but Reliable

### FULL SECURITY FULL HEIGHT ENTRANCE CONTROL SOLUTIONS

#### Function

- built-in control unit
- bi-directional electric control
- trouble-free operation with electric drive
- LED directional indicators
- anti-backup facility to prevent reverse rotation
- "Lock-chamber" access mode for additional visual verification
- integration with access control systems
- key override controls for emergency situations

The canopy is resistant to temperatures down to -60°C and furnished with drainage and a set of durable aluminium supporting posts.

#### Design

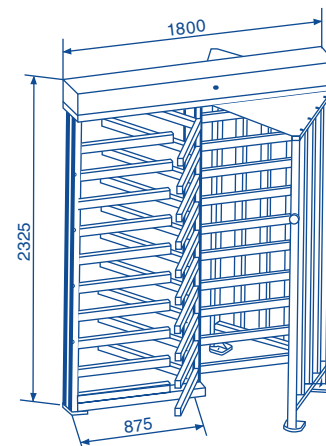
- For indoor and outdoor application
- robust construction for high security areas
- corrosion protected aluminium frame with high quality powder coating
- canopy for outdoor applications (optional)
- 120° rotor configuration

#### Materials:

- powder coated aluminium frame

#### Colours and Finishes:

- R – sandpaper powder coating with pearl mica effect; light beige colour



FULL HEIGHT SECURITY GATES

WHD-15

safe closure of passageway

Self-closing, Durable



electromechanical lock (internal/external)



door closer (internal/external)



handicap access



SECURITY GATES



FULL SECURITY FULL HEIGHT ENTRANCE CONTROL SOLUTIONS

Design

- For indoor and outdoor application
- single-direction swing gate
- robust construction for maximum security applications
- corrosion protected aluminium frame
- used either independently or in conjunction with full height turnstiles
- handicap accessible

Function

- electric lock control
- integration with access control systems
- hydraulically dampened self-closing mechanism to prevent slamming
- remote activation / push button remote control

Materials:

- powder coated aluminium frame

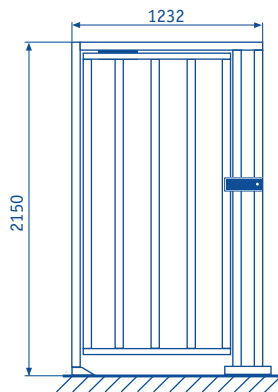
Colours and Finishes:

- R – sandpaper powder coating with pearl mica effect; light beige colour



R

Powder coating to colour of choice (according to RAL) is available.





### FULL HEIGHT RAILINGS

rugged construction for high security areas  
 corrosion protected aluminium frame with  
 high quality powder coating  
 fully weatherproof and vandal resistant  
 designed to match and integrate with PERCo  
 turnstiles and Security Gates

Durable and Robust



RAILINGS



### FULL SECURITY FULL HEIGHT ENTRANCE CONTROL SOLUTIONS

- For indoor and outdoor application

**Materials :**

- powder coated aluminium frame

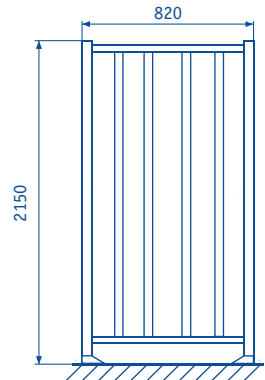
**Colours and Finishes:**

- **R** – sandpaper powder coating with pearl mica effect; light beige colour



R

Powder coating to colour of choice (according to RAL) is available.





## REFERENCES

---

**Our products have been installed and demonstrated good performance at more than 5,000 sites, including entrance points of**

**Siemens Building Technologies Office**

**Caterpillar Inc. Plant**

**Ford Motor Company Plant**

**Coca-Cola Bottling Plant**

**Mission Control Center**

**Lukoil Company office**

**R.J. Reynolds' Plant**

**Moscow Government Administrative Building**

**Ministry of Interior of Syria**

**Mexican Secretary of Agriculture**

**International Baku Airport**

**International Tbilisi Airport**

**FC Lokomotiv Stadium**

**“Krylatskoye” Skate Racing Center**

**Greyhound Stadium**

**«World Class» Sports Club**

**Salzburg Neu Residenz Museum**

**Servicio de Administraci•n Tributaria de Mexico**

**Barclays Bank**

**Goldman Sachs Banking House**

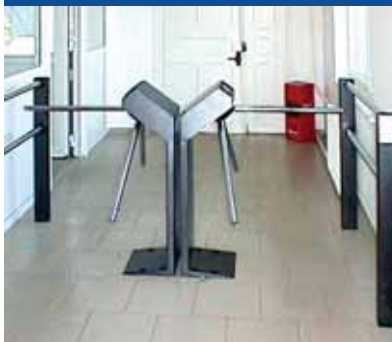


## REFERENCES





FIND MORE INSTALLATIONS AT  
[WWW.PERCOWEB.COM](http://WWW.PERCOWEB.COM)





FIND MORE INSTALLATIONS AT  
[WWW.PERCOWEB.COM](http://WWW.PERCOWEB.COM)



